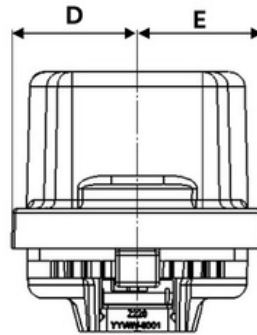
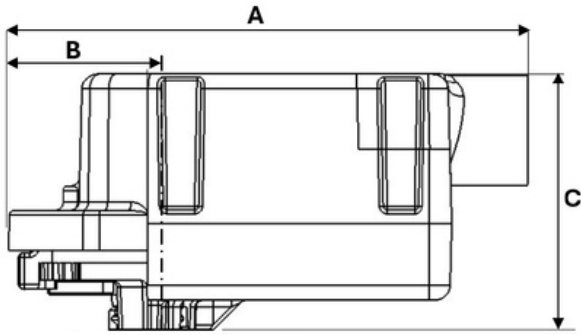


A24FS FAIL SAFE ACTUATOR ON-OFF



MADE IN ITALY

SPECIFICATION

CONNECTION: FOR ZONE VALVES
90° WORK ANGLE
POWER SUPPLY: 24V AC/DC
POWER CONSUMPTION: 1W
RUNNING TIME: 80S
HOUSING: IP40
FAIL SAFE

COMPONENTS

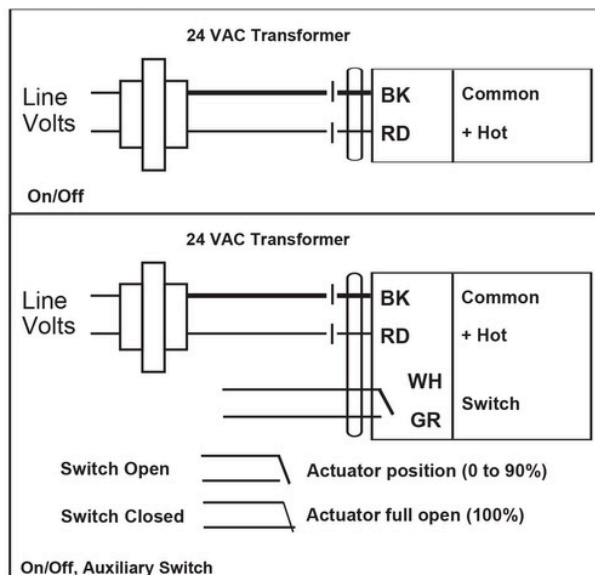
N°	DESCRIPTION	MATERIAL
1	ACTUATOR	VARIOUS

DIMENSIONS

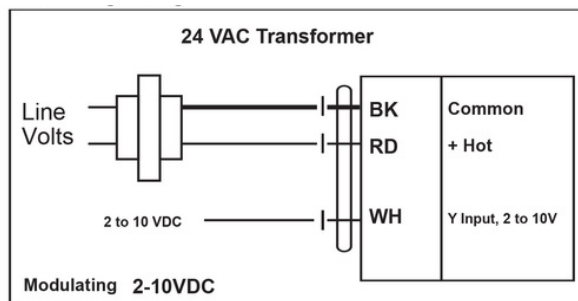
CODE	A	B	C	D	E
A24FS	4.89	1.43	2.34	1.11	1.11

WIRING DIAGRAM

ON/OFF WIRING



MODULATING WIRING



ON/OFF LINE VOLTAGE

