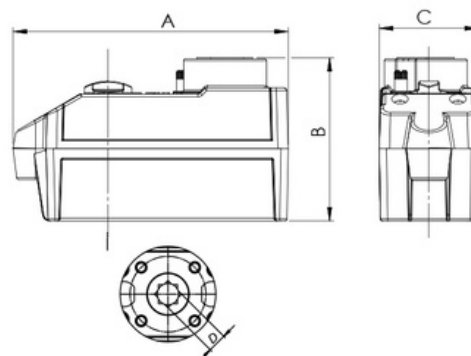
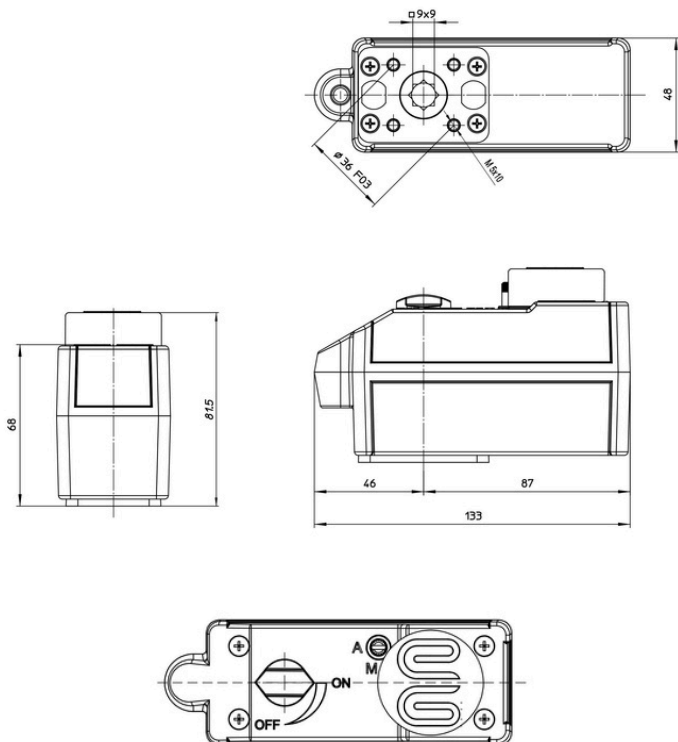


13213 SERIES - FLAT ISO 12 VDC 2M 5S ON-OFF



MADE IN ITALY

SPECIFICATION

CONNECTION: ISO 5211
90° WORK ANGLE
POWER SUPPLY: 12V DC
POWER CONSUMPTION: 12W
RUNNING TIME: 5S
HOUSING: IP54

COMPONENTS

N°	DESCRIPTION	MATERIAL
1	ACTUATOR	VARIOUS

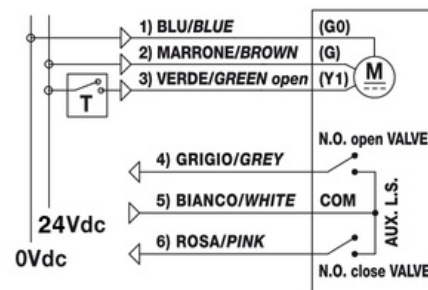
DIMENSIONS

CODE	A	B	C	D	FLANGE
13213	5.24	3.15	1.89	0.35	F03

WIRING DIAGRAM

- 1 **BLUE** 0 VDC
- 2 **BROWN** 24 VDC (12W)
- 3 **GREEN** 24 V TO OPEN 0 V TO CLOSE
- 4 **GREY** N.O. CONTACT WITH OPEN VALVE
- 5 **WHITE** COMMON AUX. CONTACT
- 6 **PINK** N.O. CONTACT WITH CLOSE VALVE

T THERMOSTAT (RELAY)
K PUMP RELAY
F.C. LIMIT SWITCH 230VAC 10A (AC1)
F.C.1 AUX. CONTACT 250VAC 10A (AC1)
M MOTOR



TERMINAL	DIRECTION	DESCRIPTION	CONNECTION
BLUE	IN	0 VDC	CONNECT TO 0V POWER SUPPLY
BROWN	IN	24 VDC	CONNECT TO 24V POWER SUPPLY
GREEN	IN	OPENING / CLOSING	WHEN POWER SUPPLY VOLTAGE 24 V IS CONNECTED TO GREEN WIRE THE VALVE OPENS OTHERWISE THE VALVE CLOSES
GRAY	OUT	LIMIT SWITCH	OPEN VALVE N.O AUX CONTACT
WHITE	COMMON	LIMIT SWITCH	AUX CONTACT SWITCH COMMON
PINK	OUT	LIMIT SWITCH	CLOSED VALVE N.O AUX CONTACT