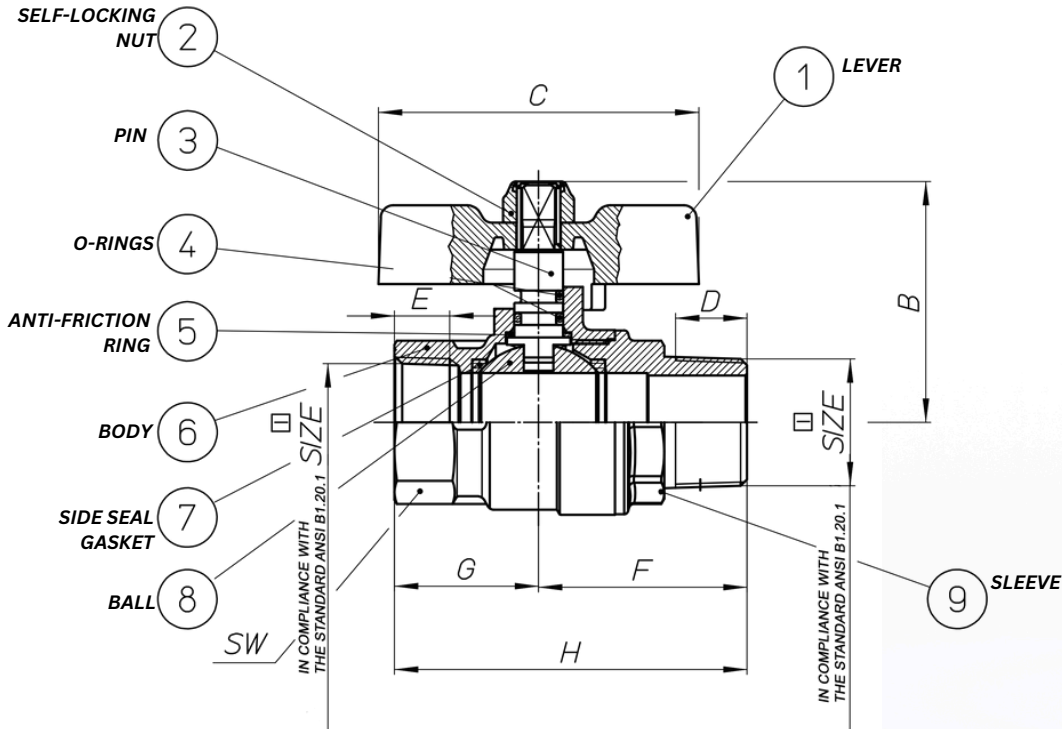


12940 SERIES - BRASS BALL VALVE MALE NPT X FEMALE NPT 1/2" WITH T-HANDLE



SPECIFICATION

BRASS BODY NICKEL PLATED
 SIZE: 1/2" - 3/4"
 CONNECTION: MALE NPT X FEMALE NPT
 CERTIFICATION: CSA | UL
 YELLOW HANDLE
 PRESSURE:
 725 PSI
 TEMPERATURE LIMITS: -4°F TO 140°F FOR GAS APPLICATION, -4°F TO 266°F FOR ALL OTHER APPLICATIONS
 APPLICATION: HOT AND COLD WATER, COMPRESSED AIR, OILS, ALL KINDS OF GASES, NON-AGGRESSIVE FLUIDS

MADE IN ITALY

COMPONENTS

N°	DESCRIPTION	MATERIAL
1	LEVER	EGM.007
2	SELF-LOCKING NUT	EGM.020
3	PIN	EGM.002
4	O-RINGS	EGM.051
5	ANTI-FRICTION RING	EGM.009
6	BODY	EGM.001
7	SIDE SEAL GASKET	EGM.009
8	BALL	EGM.002
9	SLEEVE	EGM.001

DIMENSIONS

CODE	SIZE	DN	ØA	B	C	D	E	F	G	H	SW	PN	INCHES
12940-005	1/2"	0.59	0.59	1.56	2.05	0.45	0.38	1.38	0.96	2.34	25	50	
12940-007	3/4"	0.79	0.79	1.93	2.56	0.50	0.44	1.59	1.14	2.74	31	50	