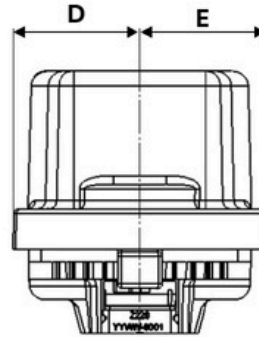
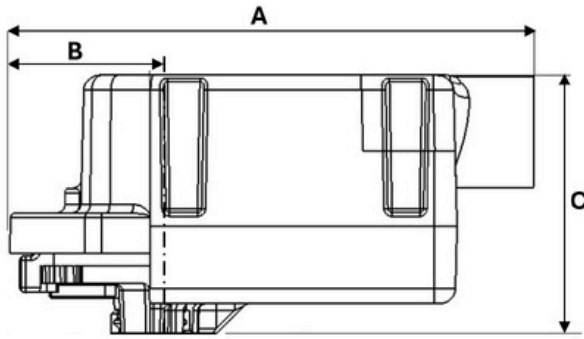


B24NF - NON-FAIL SAFE ACTUATOR FLOATING ON-OFF



MADE IN ITALY

SPECIFICATION

CONNECTION: FOR ZONE VALVES
 90° WORK ANGLE
 POWER SUPPLY: 24V AC/DC
 POWER CONSUMPTION: 1W
 RUNNING TIME: 80S
 HOUSING: IP40
 NON FAIL SAFE

COMPONENTS

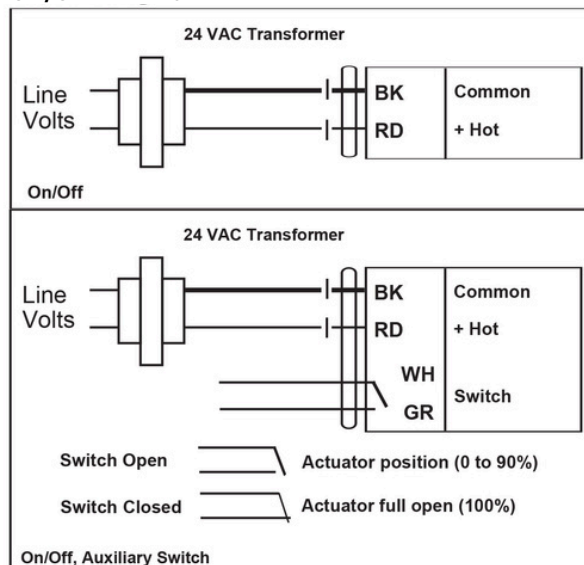
N°	DESCRIPTION	MATERIAL
1	ACTUATOR	VARIOUS

DIMENSIONS

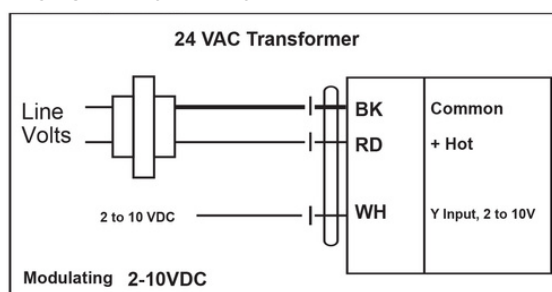
CODE	A	B	C	D	E
B24NF	4.89	1.43	2.34	1.11	1.11

WIRING DIAGRAM

ON/OFF WIRING



MODULATING WIRING



ON/OFF LINE VOLTAGE

