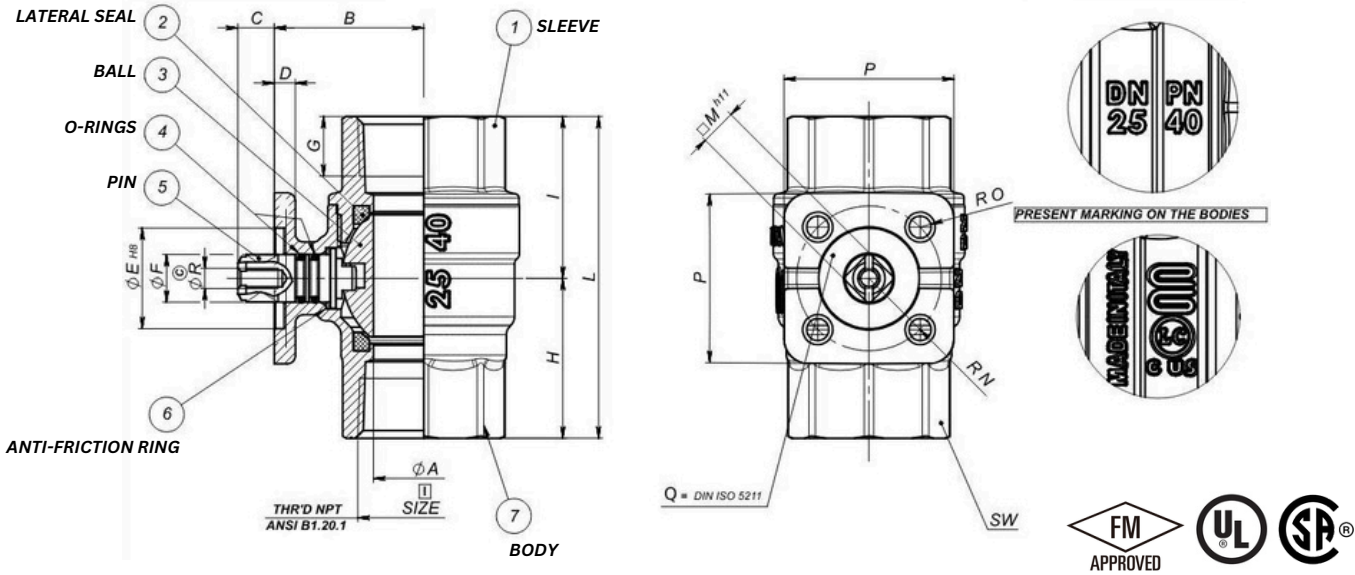


12100 SERIES

BRASS BALL VALVE FEMALE NPT ISO-5211 PAD FOR ACTUATOR NICKEL PLATED



SPECIFICATION

BRASS BODY NICKEL PLATED

SIZES: 1/4" - 3"

CONNECTION: NPT X NPT

ANSI STANDARD B1.20.1

PRESSURE:

600 PSI (1/2" - 1-1/4")

360 PSI (1 1/2" - 2-1/2")

235 PSI (3")

TEMPERATURE: -4° F TO 266° F

ISO-5211 PAD FOR ACTUATOR

APPLICATION: ADAPTED FOR USES WITH VAPOR,
HOT OR COLD WATER, COMPRESSED AIR.

DIRECTION OF FLOW: IN BOTH WAYS



MADE IN ITALY

COMPONENTS

N°	DESCRIPTION	MATERIAL
1	SLEEVE	EGM.001
2	LATERAL SEAL GUARANTEE	P.T.F.E.
3	BALL	EGM.002
4	O-RINGS	EGM.051
5	PIN	EGM.002
6	ANTI-FRICTION RING	EGM.009
7	BODY	EGM.001

DIMENSIONS

INCHES

CODE	SIZE	DN	ØA	B	C	D	ØE ^{H8}	F	G	I	L	M ^{H11}	RN	RO	P	Q	R ^Ø	SW	PN
12100-002	1/4"	0.31	0.39	1.15	0.35	0.20	0.98	0.42	0.33	1.02	2.06	0.35	0.71	0.11	1.45	F3	M5	25	40
12100-003	3/8"	0.39	0.39	1.15	0.35	0.20	0.98	0.42	0.35	1.02	2.06	0.35	0.71	0.11	1.45	F3	M5	25	40
12100-005	1/2"	0.59	0.59	1.15	0.35	0.20	0.98	0.42	0.57	1.20	2.40	0.35	0.71	0.11	1.45	F3	M5	25	40
12100-007	3/4"	0.79	0.79	1.29	0.35	0.20	0.98	0.42	0.55	1.29	2.58	0.35	0.71	0.11	1.45	F3	M5	31	40
12100-010	1"	0.98	0.98	1.46	0.35	0.20	0.98	0.42	0.66	1.58	3.15	0.35	0.71	0.11	1.65	F3	M5	38	40
12100-012	1-1/4"	1.26	1.26	1.87	0.43	0.22	1.18	0.54	0.68	1.78	3.54	0.43	0.83	0.11	1.65	F4	M5	47	40
12100-015	1-1/2"	1.57	1.57	2.08	0.43	0.22	1.18	0.54	0.68	1.99	3.98	0.43	0.83	0.11	1.65	F4	M5	55	25
12100-020	2"	1.96	1.89	2.52	0.43	0.26	1.18	0.54	0.69	2.28	4.49	0.43	0.83	0.11	1.88	F4	M5	68	25
12100-025	2-1/2"	2.56	2.36	3.25	0.55	0.39	2.16	0.82	0.93	2.95	5.87	0.55	1.38	0.18	2.67	F7	M8	83	25
12100-020	3"	3.15	3.07	3.72	0.61	0.45	2.16	1.06	1.02	3.26	6.52	0.55	1.38	0.18	2.67	F7	M8	97	16